

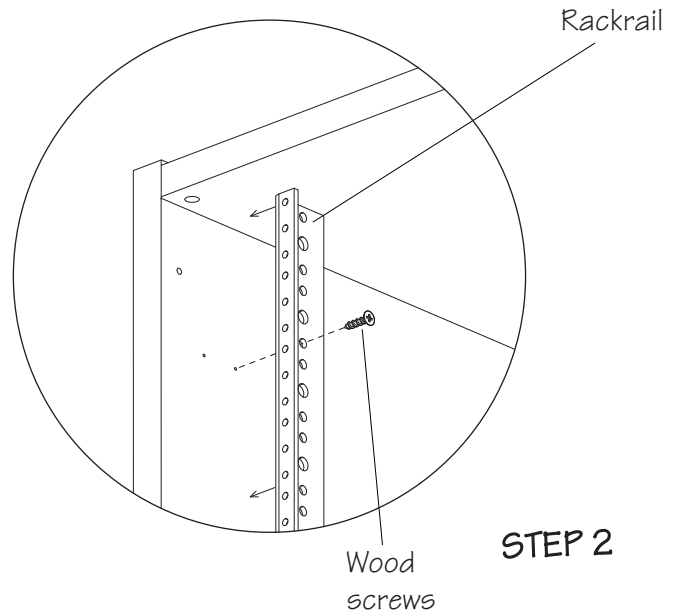
RK-GDxx GLASS DOOR INSTALLATION INSTRUCTIONS

Hardware kit includes:

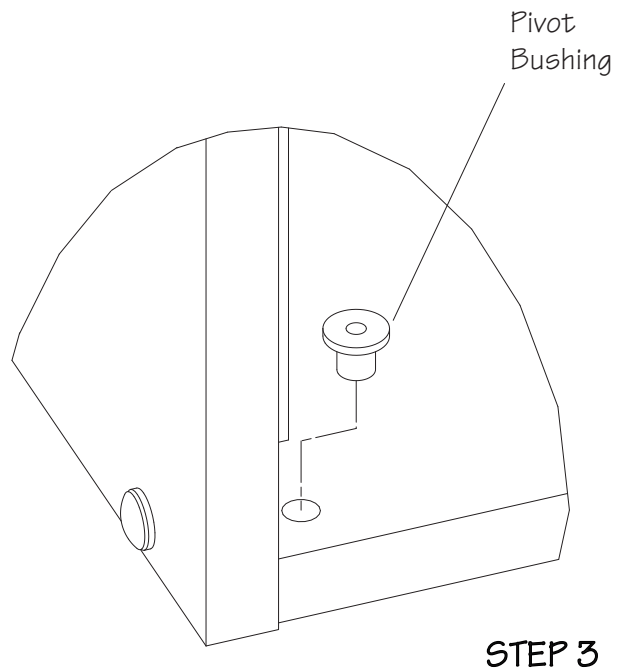
Qty		Description
2		Pivot Bushing
1		Magnet
2		5/8" Pan Head Wood Screw
2		Stop Pin
1		Locking Bracket

1) Assemble BRK / OBRK

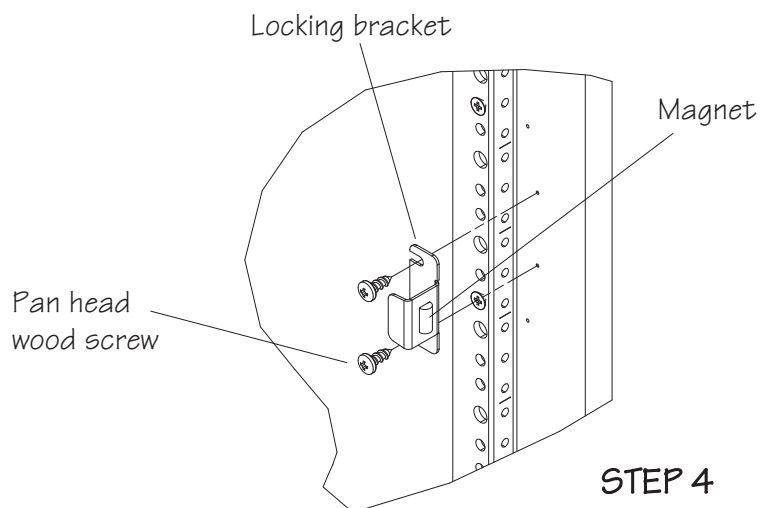
2) Move rackrail to recessed set of enclosure mounting holes using existing wood screws



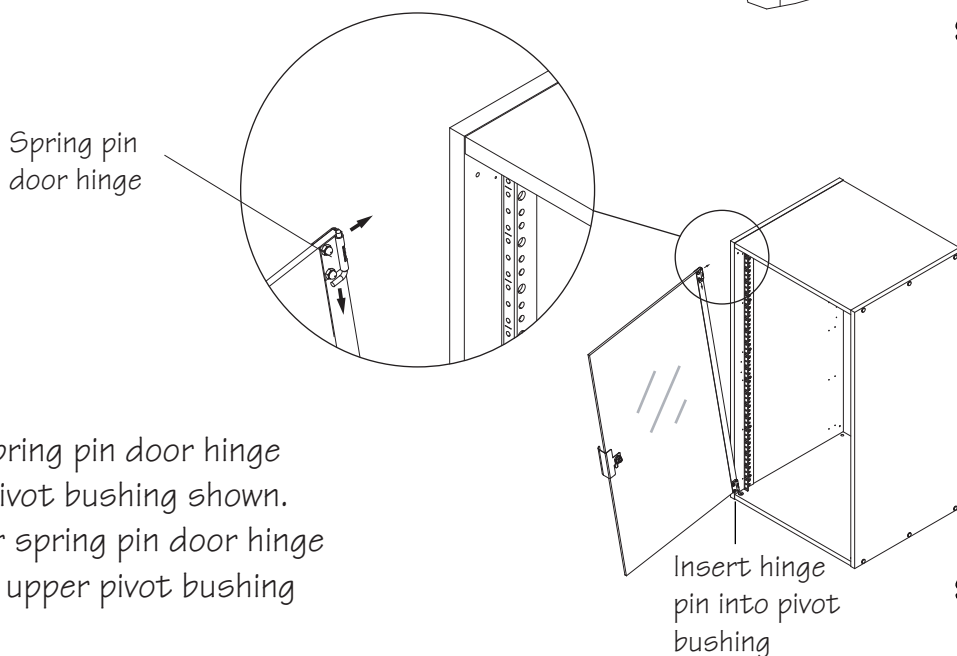
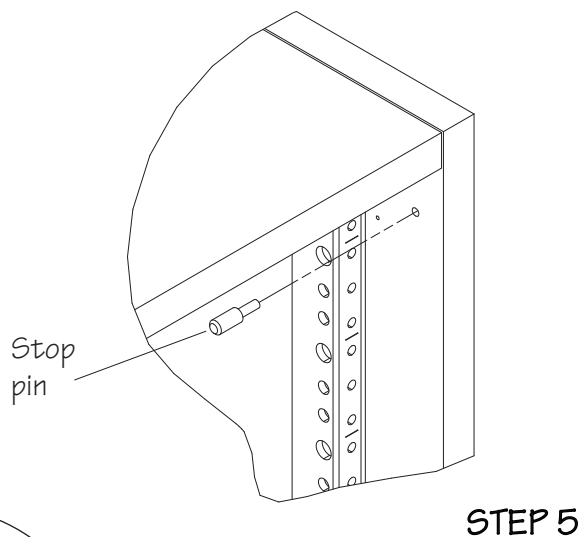
3) Determine desired hinge side and install pivot bushings (tight fit) to top and bottom



- 4) Orient magnet as shown and attach locking bracket opposite hinge side with wood screws provided



- 5) Install top and bottom stop pins (tight fit) opposite hinge side as shown



- 6) Insert lower spring pin door hinge into bottom pivot bushing shown. Depress upper spring pin door hinge to install into upper pivot bushing